



CANOPO

Features

Nominal Wattage	560W
Nominal Voltage	AC 100-240V /277V, 50/60Hz
LED Brand	Philips Lumileds
Driver Brand	Inventronics Driver
Optional Function	OLC, NTC, StepDIM, 0(1)-10V, DALI
Operating Temperature	-40 °C to +50 °C
Power Factor (PF)	> 0.9
THD	< 20
Protection	Class I
SPD	10KV (20KV optional)

Photometric Specifications:

Lumen Output	84000 lm (±5%)
Optic	15°, 30°, 45°, 60°
CRI	Ra ≥ 70 (80 optional)
CCT	

Mechanical Specifications:

Ratings	IP66, IK10
Lifetime	> 100, 000 hours -L70, @25 °C (77 °F)
Body	Die-cast aluminum and Toughened glass
Lens	PC
Fixture Dimension	687 x578 x222 mm
Packing Dimension	770 x640 x235 mm
Fixture Weight	30.0 kg
Packing Weight	35.5 kg



Optional accessories:



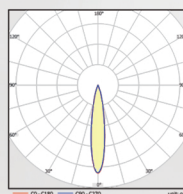
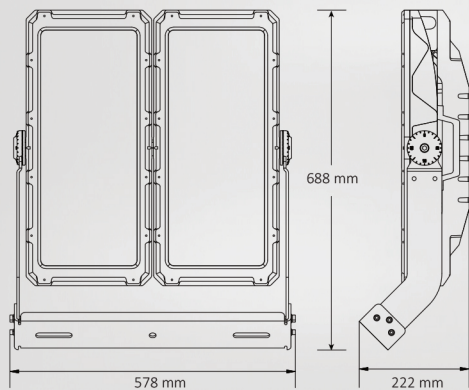
Laser Pen



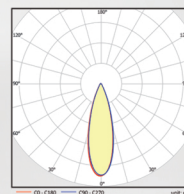
Smart Controller



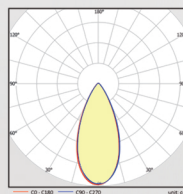
Optical options:



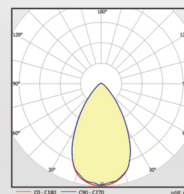
Lens code: 15°



Lens code: 30°



Lens code: 45°



Lens code: 60°